



Cisco

300-620 Exam

Implementing Cisco Application Centric Infrastructure

Thank you for Downloading 300-620 exam PDF Demo

You can also try our 300-620 practice exam software

Download Free Demo

<https://prepbolt.com/300-620.html>

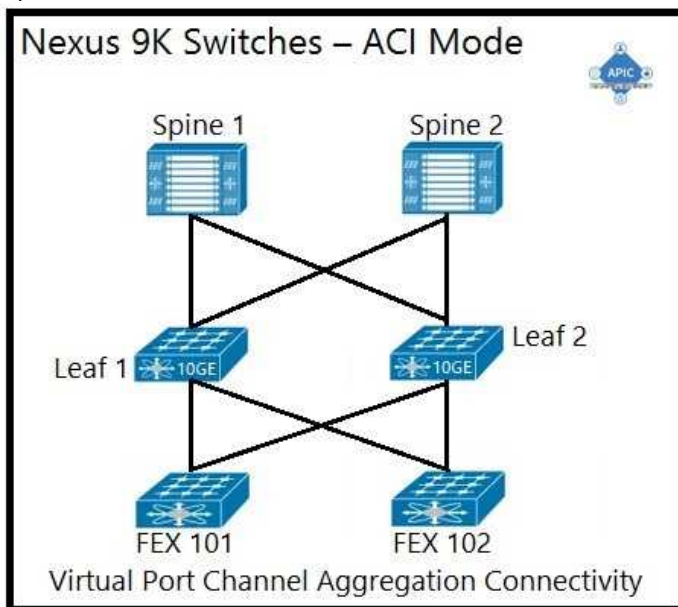
QUESTIONS & ANSWERS
DEMO VERSION
(LIMITED CONTENT)

Version: 14.0

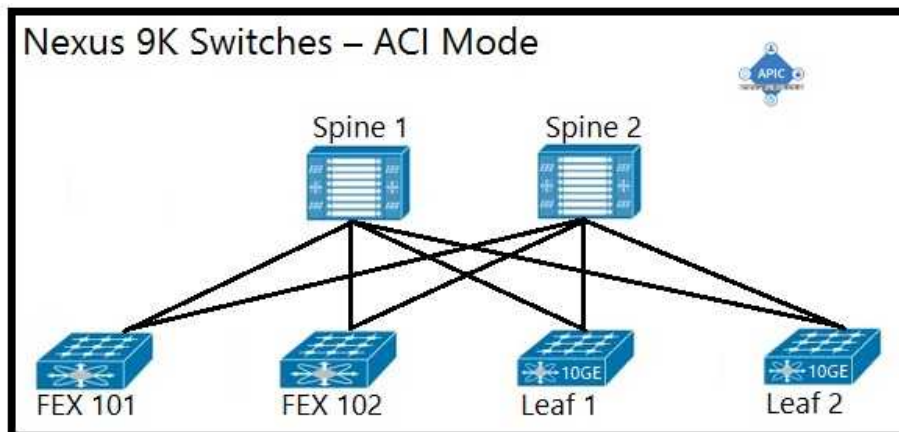
Question: 1

An engineer is implementing a Cisco ACI data center network that includes Cisco Nexus 2000 Series 10G fabric extenders. Which physical topology is supported?

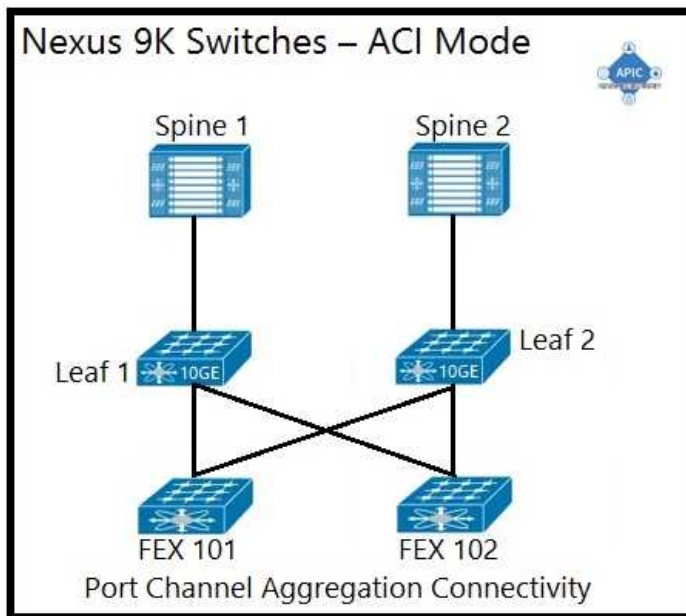
A)



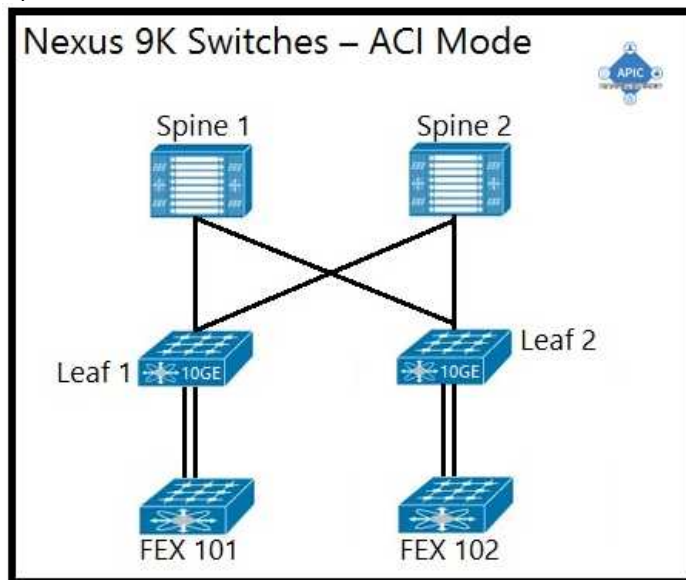
B)



C)



D)



- A. Option A
- B. Option B
- C. Option C
- D. Option D

Answer: D

Explanation:

Question: 2

An ACI administrator notices a change in the behavior of the fabric. Which action must be taken to

determine if a human intervention introduced the change?

- A. Inspect event records in the APIC UI to see all actions performed by users.
- B. Inspect `/var/log/audit_messages` on the APIC to see a record of all user actions.
- C. Inspect audit logs in the APIC UI to see all user events.
- D. Inspect the output of show command history in the APIC CLI.

Answer: C

Explanation:

Question: 3

An engineer is creating a configuration import policy that must terminate if the imported configuration is incompatible with the existing system. Which import mode achieves this result?

- A. merge
- B. atomic
- C. best effort
- D. replace

Answer: B

Explanation:

Reference: https://www.cisco.com/c/en/us/td/docs/switches/datacenter/aci/apic/sw/4-x/aci-fundamentals/Cisco-ACI-Fundamentals-401/Cisco-ACI-Fundamentals-401_chapter_01011.html

Question: 4

Which components must be configured for the BGP Route Reflector policy to take effect?

- A. spine fabric interface overrides and profiles
- B. access policies and profiles
- C. pod policy groups and profiles
- D. leaf fabric interface overrides and profiles

Answer: C

Explanation:

Reference: https://www.cisco.com/c/en/us/td/docs/switches/datacenter/aci/apic/sw/4-x/L3-configuration/Cisco-APIC-Layer-3-Networking-Configuration-Guide-401/Cisco-APIC-Layer-3-Networking-Configuration-Guide-401_chapter_01.html

Question: 5

Which type of policy configures the suppression of faults that are generated from a port being down?

- A. fault lifecycle assignment
- B. event lifecycle assignment
- C. fault severity assignment
- D. event severity assignment

Answer: C

Explanation:

Reference:

https://www.cisco.com/c/en/us/td/docs/switches/datacenter/aci/apic/sw/all/faults/guide/b_APIC_Faults_Errors/b_IFC_Faults_Errors_chapter_01.html

Thank You for trying 300-620 PDF Demo

To try our 300-620 practice exam software visit link below

<https://prepbolt.com/300-620.html>

Start Your 300-620 Preparation

Use Coupon "SAVE50" for extra 50% discount on the purchase of Practice Test Software. Test your 300-620 preparation with actual exam questions.