



IBM

C1000-101 Exam

IBM Cloud Professional Sales Engineer v1

Thank you for Downloading C1000-101 exam PDF Demo

You can also try our C1000-101 practice exam software

Download Free Demo

<https://prepbolt.com/C1000-101.html>

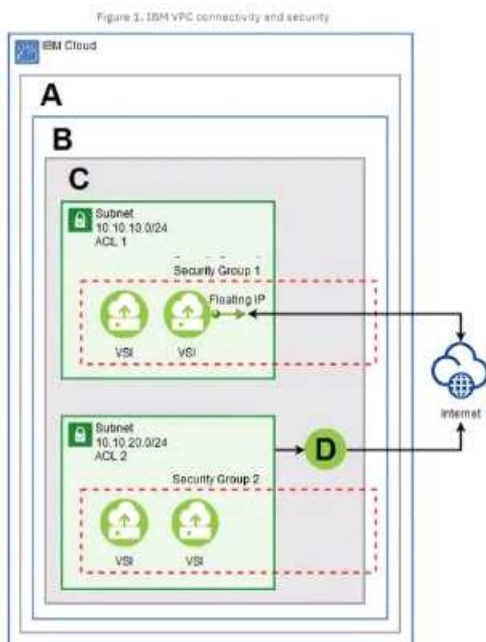
QUESTIONS & ANSWERS

DEMO VERSION

(LIMITED CONTENT)

Version: 4.0

Question: 1



Which component is represented by letter D in the displayed IBM VPC connectivity and security diagram?

- A. direct link gateway
- B. transit gateway
- C. public gateway
- D. secure gateway

Answer: A

Explanation:

<https://www.ibm.com/cloud/architecture/content/course/advanced-networking-for-vpc/vpc-vs-classic-infrastructure/>

Question: 2

Which two operating systems are supported on IBM Power Systems Virtual Server?

- A. SUSE Linux Enterprise Server
- B. Fedora
- C. Kubuntu
- D. IBM i
- E. Microsoft Windows Server

Answer: A, D

Explanation:

<https://cloud.ibm.com/docs/power-iaas?topic=power-iaas-power-iaas-fags>

Question: 3

Who manages the master nodes in the IBM Kubernetes service?

- A. Linux Foundation
- B. IBM
- C. The Open Group
- D. Customer

Answer: B

Explanation:

<https://cloud.ibm.com/docs/containers?topic=containers-faqs>

Question: 4

A company has a high-performance application which runs on a custom developed operating system. The system requires additional resources based on an unexpected increase in workload. They have decided to replatform the application and to provide additional capacity before their customers are impacted. Which IBM Cloud solution should they use?

- A. Bare Metal Server
- B. LinuxONE Server
- C. Virtual Server Instances
- D. Hyper Protect Virtual Server

Answer: C

Explanation:

Question: 5

For IBM Cloud offerings, who has the responsibility for managing the lifecycle, operations, and security?

- A. IBM Expert Services and the customer
- B. IBM partner and the customer
- C. IBM and the customer

D. the customer

Answer: C

Explanation:

In IBM Cloud®, as is the case for other cloud service providers, the responsibilities for managing the lifecycle of, operating, and securing products are shared between IBM® and the customer.

<https://cloud.ibm.com/docs/overview?topic=overview-shared-responsibilities#:~:text=The%20software%20deployment%20control%20plane,of%20deployed%20software%20package%20instances.>

Thank You for trying C1000-101 PDF Demo

To try our C1000-101 practice exam software visit link below

<https://prepbolt.com/C1000-101.html>

**Start Your C1000-101
Preparation**

Use Coupon "SAVE50" for extra 50% discount on the purchase of Practice Test Software. Test your C1000-101 preparation with actual exam questions.